

Features

Visible only (V/O) 24 VDC wall mount notification appliances with high output xenon strobe:

- Amber lens with “ALERT” lettering produces a signal unique from clear lens fire alarm evacuation strobes for use with Emergency Communications Systems
- Intensity is selectable as 15, 30, 75, or 110 candela with visible selection jumper secured behind strobe housing
- UL listed to Standard 1638 (due to non-white lens); provides light dispersion patterns of UL Standard 1971
- ULC listed to Standard S526
- Polarized input allows connection to compatible reverse polarity, supervised notification appliance circuit (NAC)
- Regulated circuit design ensures consistent flash output and provides controlled inrush current
- Rugged, high impact, flame retardant thermoplastic housings are available in red or white with amber lens
- Refer to important installation information on page 3

Strobes provide synchronized flash for use with:

- 4010, and 4100U Series fire alarm control panels with NACs selected to provide strobe synchronization or SmartSync™ two-wire control**
- 4009 IDNet™ NAC Extenders
- Separate strobe synchronization modules that are available for Class B or Class A operation
- Separate SmartSync Control Modules (SCMs) that provide Class B or Class A output from conventional NAC inputs
- **NOTE:** Connect amber strobes to NACs dedicated for Emergency Communications operation, not for fire alarm notification

Strobe housings provides flexible, easy, and convenient semi-flush or surface mounting:

- Rear of housing does not extend into box
- Strobes easily mount to single gang, double gang, or 4-inch square outlet box
- Wiring terminals are accessible from the front of the housing providing easy access for installation, inspection, and testing

Optional adapters and wire guard:

- Strobe adapters are available to cover surface mounted electrical boxes and to adapt to Simplex® 2975-9145 boxes
- UL listed red wire guard

* Refer to page 2 for listing status of wire guards. This product has been approved by the California State Fire Marshal (CSFM) pursuant to Section 13144.1 of the California Health and Safety Code. See CSFM Listing 7300-0026:326 for allowable values and/or conditions concerning material presented in this document. It is subject to re-examination, revision, and possible cancellation. FM approval and MEA acceptance are not applicable. Additional listings may be applicable; contact your local Simplex product supplier for the latest status. Listings and approvals under Simplex Time Recorder Co. are the property of Tyco Safety Products Westminster.

** Simplex multi-candela non-addressable strobe operation is protected under the following U.S. Patent Numbers: 5,559,492; 5,622,427; 5,865,527; 5,886,620; 6,281,789; 6,954,137; 7,005,971; and 7,006,003.



Amber Lens Wall Mount Strobes

Description

TrueAlert amber lens multi-candela strobes provide non-fire alarm alert notification for use with Emergency Communications systems where additional response information is provided by audio or textual appliances.

Strobe housings are a one-piece assembly (including lens) that mounts to a single or double gang, or 4” square standard electrical box. The cover can be quickly removed (a tool is required) and the enclosure design is impact and vandal resistant.

Multi-Candela Output. During installation, a selection plug at the back of the housing determines the desired strobe intensity. An attached flag with black letters on a highly visible yellow background allows the selected intensity to be seen at the side of the strobe lens.

Strobe Application Reference

Amber strobes used as part of an Emergency Communications system are located to provide the same area coverage as required of clear lens fire alarm strobes. Specific Emergency Communications requirements are discussed in detail in document UFC 4-021-01 (USA Department of Defense, United Facilities Criteria) and in NFPA 72, 2007 Annex E.

Proper strobe coverage criteria is further described in the *National Fire Alarm Code* (NFPA 72), ANSI A117.1; the appropriate model building code: BOCA, ICBO, or SBCCI; and the application guidelines of the Americans with Disabilities Act (ADA).

Synchronized Strobes

Multiple Strobes. When multiple strobes and their reflections can be seen from one location, synchronized flashes reduce the probability of photo-sensitive reactions as well as the annoyance and possible distraction of random flashing. These multi-candela strobes are synchronized over a two-wire circuit when connected to compatible NACs, to compatible Synchronized Flash Modules, or to SmartSync Control Modules.

SmartSync Two-Wire Control Reference

Fire Alarm Operation. SmartSync two-wire control provides separate horn and strobe control over the same wiring. This allows audible notification appliances to be capable of being silenced before the alarm condition is reset (on-until-silenced) while the visible notification appliances are kept activated until the alarm condition is reset (on-until-reset).

Alert Operation. When non-addressable amber strobes are used to provide alert indications, audible information is provided by a voice/audio system or other unique, non-fire alarm signaling. Refer to the Additional Product Reference list to the right for associated products.

Some applications requiring multiple NAC synchronization may require amber strobe control from synchronized 4905-9938 SmartSync Control Modules.

Additional Product Reference

Product	Data Sheet
Multi-Candela Clear Lens Strobes	
V/O (strobe)	S4906-0001
A/V (horn/strobe)	S4906-0002
S/V (speaker/strobe)	S4906-0003
Audible Notification	
Horn	S4901-0010
Speakers	S4902-0003
Control Modules and Panels	
Synch and SmartSync Control Modules	S4905-0003
4009 IDNet NAC Extender	S4009-0002
4010 Fire Alarm Control Panels	S4010-0001
4100U Fire Alarm Panels	S4100-0031
4100U Fire Alarm Audio Equipment	S4100-0034
4003 Series Emergency Voice/Alarm Communications Equipment Panel (compatible with 4010 control panels)	S4003-0001
Installation Reference	
Installation Instructions	579-848

Product Selection

Multi-Candela Visible Notification Appliances (Strobes)

Model	Housing Color	"ALERT" Lettering	Description
4906-9107	White	Red	Multi-candela strobe with amber lens; intensity selectable as: 15, 30, 75, or 110 candela; synchronized flash rate; SmartSync two-wire control compatible
4906-9108	Red	White	

Mounting Adapters

Model	Description	Dimensions
4905-9937	Red Surface Mount Adapter Skirt; use to cover 1-1/2" (38 mm) deep surface mounted boxes	5-3/8" H x 5-1/4" W x 1-5/8" D (136 mm x 133 mm x 41 mm) Total depth with strobe = 4-3/8" (111 mm)
4905-9940		
4905-9931	Red Adapter Plate for mounting to Simplex 2975-9145 box (typically for retrofit, may be mounted vertical or horizontal)	8-5/16" x 5-3/4" x 0.060" Thick (211 mm x 146 mm x 1.5 mm)
2975-9145	Red Mounting Box, requires Adapter Plate 4905-9931	7-7/8" x 5-1/8" x 2-3/4" D (200 mm x 130 mm x 70 mm)

Synchronization Modules (refer to data sheet S4905-0003 for additional information)

Model	Description	Dimensions
4905-9914	Class B Synchronized Flash Module; epoxy encapsulated with in/out 18 AWG (0.82 mm ²) wire leads, rated for 2 A NAC, requires 10 mA for power	1-3/8" x 2-7/16" x 13/16" (35 mm x 62 mm x 20 mm)
4905-9922		
4905-9938	SmartSync Control Module with Class B or Class A output; mounts in 4" (102 mm) square box	4" x 4-1/8" x 1-1/4" D (102 mm x 105 mm x 32 mm)

Wire Guard

Model	Description	Dimensions
4905-9961*	Red wire guard with mounting plate, compatible with semi-flush or surface mounted boxes	6-1/16" H x 6-1/16" W x 3-1/8" D (154 mm x 154 mm x 79 mm)

* UL listed by Space Age Electronics Inc.

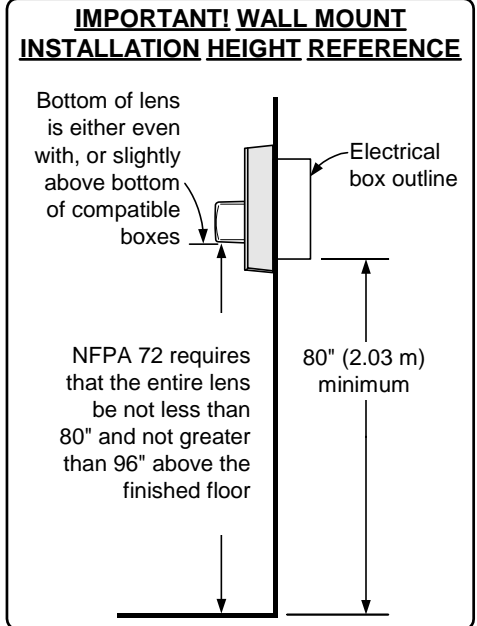
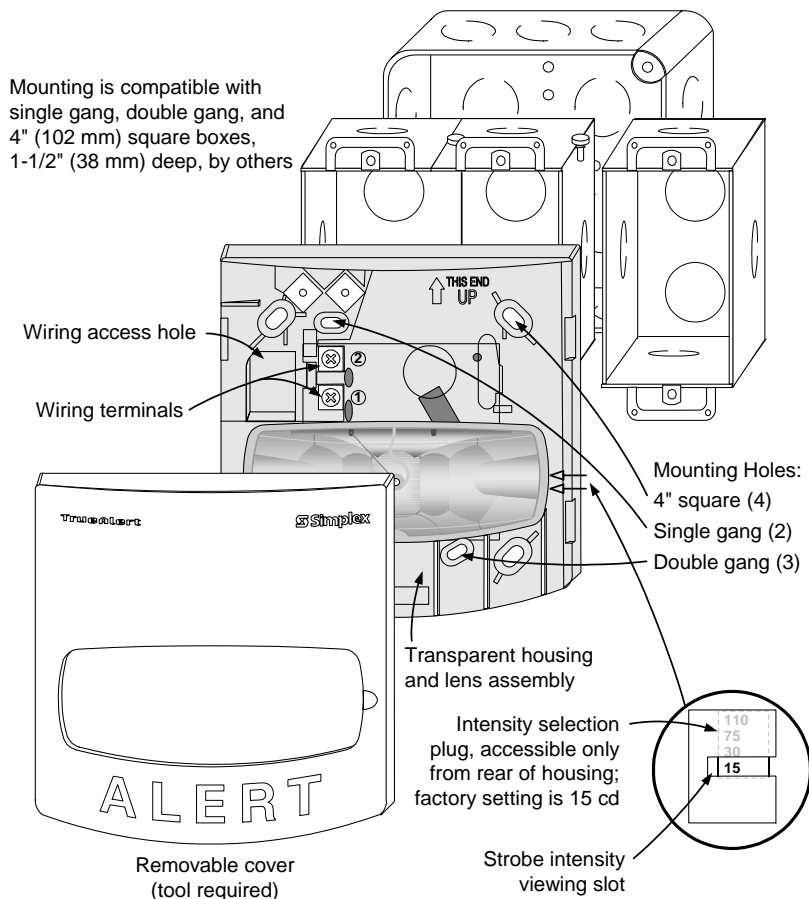
Strobe Specifications

Voltage Range	Regulated 24 VDC; see Note 1 below				
Flash Rate	1 Hz				
Synchronized NAC Loading	Up to 35 synchronized strobes maximum per NAC				
Temperature Range	32° to 122° F (0° to 50° C)				
Humidity Range	10% to 93%, non-condensing at 100° F (38° C)				
Connections	Terminal blocks for 18 AWG to 12 AWG (0.82 mm ² to 3.31 mm ²); two wires per terminal for in/out wiring				
Housing Dimensions (with lens)	5-1/8" H x 5" W x 2-3/4" D (130 mm x 127 mm x 70 mm)				
Maximum RMS Current Rating per Strobe Setting (see Note 2 below)		15 cd	30 cd	75 cd	110 cd
		60 mA	94 mA	186 mA	252 mA
Reference RMS Currents at other voltages	18 VDC	53 mA	84 mA	165 mA	224 mA
	24 VDC	40 mA	63 mA	124 mA	168 mA

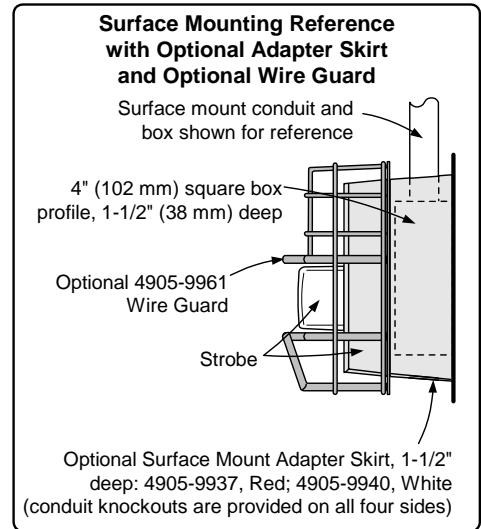
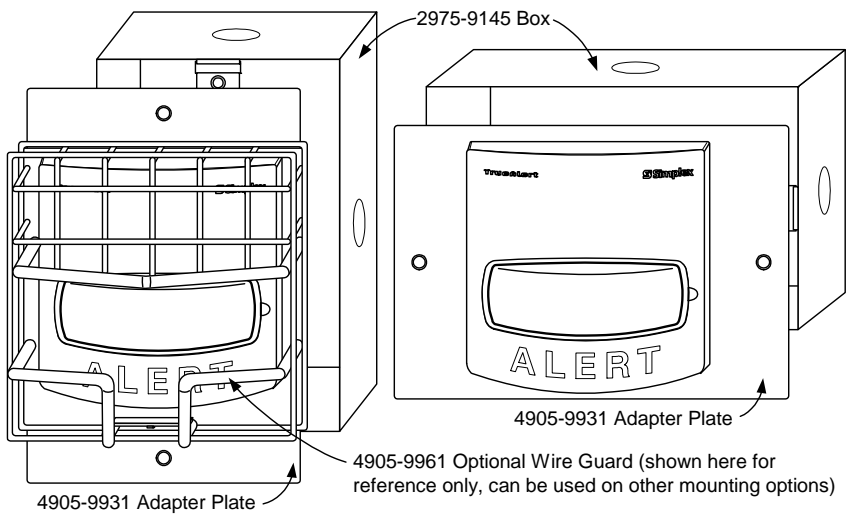
NOTES:

1. "Regulated 24 VDC" refers to the voltage range of 16 to 33 VDC per UL Standard 1638, *Visual Signaling Appliances – Private-Mode Emergency and General Utility Signaling*. This voltage range is the absolute operating range. Operation outside of this range may cause permanent damage to the strobe. Please note that 16 VDC is the lowest operating voltage that is allowed at the last appliance on the NAC under worst case conditions.
2. The maximum RMS current listed is the device nameplate rating. Strobe designs are constant wattage and the maximum RMS current rating occurs at the lowest allowable operating voltage. (RMS is root mean square and refers to the effective value of a varying current waveform.)

Installation Reference, Surface or Semi-Flush Mounting



Installation Reference; Adapter Plate, Guard, and Adapter Skirt



Tyco is a registered trademark of Tyco International Services GmbH and is used under license. TrueAlert, Simplex, and the Simplex logo are trademarks of Tyco International Ltd. and its affiliates and are used under license. NFPA 72 and National Fire Alarm Code are trademarks of the National Fire Protection Association (NFPA).



Tyco Safety Products Westminster • Westminster, MA • 01441-0001 • USA
www.tycosafetyproducts-usa-wm.com

S4906-0008-3 9/2009

© 2009 Tyco Safety Products Westminster. All rights reserved. All specifications and other information shown were current as of document revision date and are subject to change without notice.