

### Features

#### Individual addressable manual fire alarm callpoint with:

- Power and data supplied via IDNet addressable communications using a single wire pair
- Enhanced aesthetics
- Designed for fast and easy installation
- Designed for EMI compatibility
- Surface mounting
- Test key allows the callpoint to be tested without breaking the glass
- Requires a special key to open the callpoint
- Simple snap fit to mounting box

#### Compatible with Simplex Model series 4010 and 4100U

### Description

These addressable manual callpoints, with compact communications module, are easily installed to satisfy demanding applications. An integral individual addressable module (IAM) monitors status and communicates changes to the connected control panel via IDNet communications.

### Specifications

Power and Communications	IDNet, 1 address per callpoint
Address Means	DIPswitch, 8 position
Device Type	KACPUL
Wire Connections	M3 spade terminals
Storage and Operating Temperature Range	-22°F to 158°F (-30° C to 70° C)
Humidity Range	Up to 95% RH non-condensing
Ingress Protection	IP67
Color	Red, RAL3001
Material	PC/ABS
Dimensions	3-5/8" H x 3-1/2" W x 2-7/8" D (93 mm x 89 mm x 28 mm)



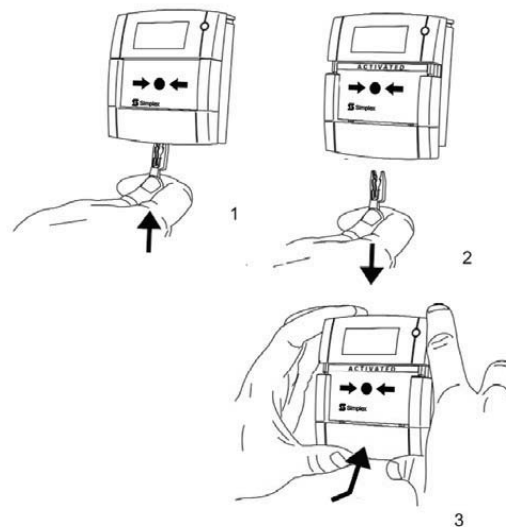
IDNet Addressable Manual Callpoint

### Operation

**Activation** of the Simplex callpoint requires the glass element to be broken. Completing the action operates a micro-switch whose condition is signaled back to the control panel.

**Callpoint reset** requires the use of a special key (supplied with the callpoint) to remove the front cover which allows the glass element to be replaced.

**Callpoint testing** is performed by inserting the key fully into the bottom of the housing and pulling down, this releases the bottom of the housing and break glass element. To reset the callpoint, the bottom of the housing is pushed upwards until it locks in position. (See illustration below.)



Callpoint Testing

- This product is not presently agency listed. Contact your local Simplex product supplier for the latest status.

## Application Reference

Refer to NFPA 72, the *National Fire Alarm Code*, and all applicable local codes for complete requirements for manual callpoints. The following summarizes the basic requirements:

1. Callpoints shall be located in the normal path of exit and distributed in the protected area such that they are unobstructed and readily accessible.
2. Mounting shall be with the operable part not less than 3-1/2 ft (1.1 m) and not more than 4-1/2 ft (1.37 m) above floor level.
3. At least one callpoint shall be provided on each floor. Additional callpoints shall be provided to obtain a travel distance not more than 200 ft (61 m) to the nearest callpoint from any part of the building.
4. When manual callpoint coverage appears limited in any way, additional callpoints should be installed.

## Product Selection

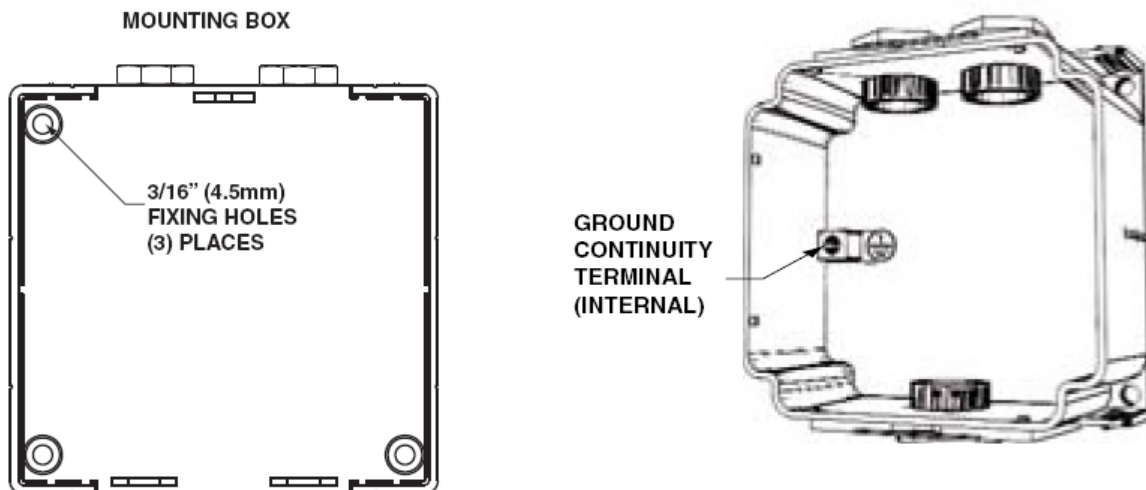
### Addressable Manual Callpoints with Internal IAM

Model	Description
4099-9707	Simplex external English callpoint with LED

### Accessories

Model	Description
4099-9706	Callpoint replacement glass, package of 10

## Mounting Information



### Mounting Notes:

1. Mount the back box to a suitably flat surface using the three fixing holes and the screws provided in the installation pack.
2. The 20 mm cable entry holes should be in the vertical plane.
3. The back box can be mounted with either the single or the double entry holes at the top.

## Setting the Callpoint Address

RESERVED FOR FUTURE USE

DIP SWITCHES 5 THRU 8

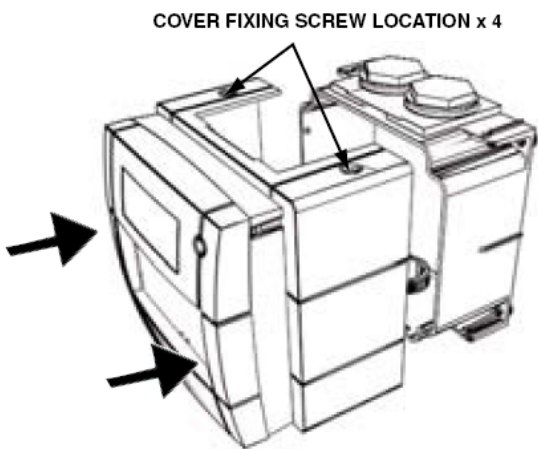
	0000	1000	0100	1100	0010	1010	0110	1110	0001	1001	0101	1101	0011	1011	0111	1111
0000	0	16	32	48	64	80	96	112	128	144	160	176	192	208	224	240
1000	1	17	33	49	65	81	97	113	129	145	161	177	193	209	225	241
0100	2	18	34	50	66	82	98	114	130	146	162	178	194	210	226	242
1100	3	19	35	51	67	83	99	115	131	147	163	179	195	211	227	243
0010	4	20	36	52	68	84	100	116	132	148	164	180	196	212	228	244
1010	5	21	37	53	69	85	101	117	133	149	165	181	197	213	229	245
0110	6	22	38	54	70	86	102	118	134	150	166	182	198	214	230	246
1110	7	23	39	55	71	87	103	119	135	151	167	183	199	215	231	247
0001	8	24	40	56	72	88	104	120	136	152	168	184	200	216	232	248
1001	9	25	41	57	73	89	105	121	137	153	169	185	201	217	233	249
0101	10	26	42	58	74	90	106	122	138	154	170	186	202	218	234	250
1101	11	27	43	59	75	91	107	123	139	155	171	187	203	219	235	251
0011	12	28	44	60	76	92	108	124	140	156	172	188	204	220	236	252
1011	13	29	45	61	77	93	109	125	141	157	173	189	205	221	237	253
0111	14	30	46	62	78	94	110	126	142	158	174	190	206	222	238	254
1111	15	31	47	63	79	95	111	127	143	159	175	191	207	223	239	255

RESERVED FOR FUTURE USE

DIP SWITCHES 1 THRU 4

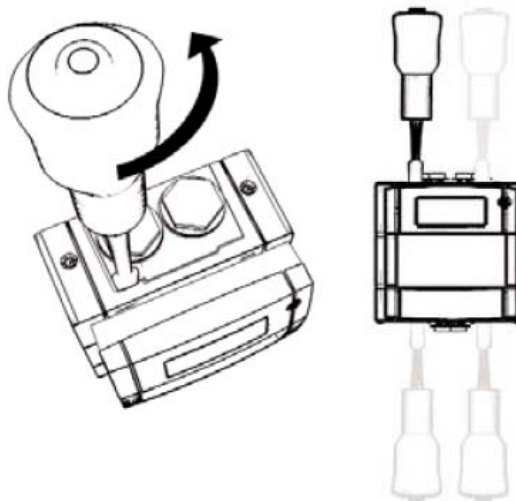
Black IDNet - Red IDNet+

## Fitting Callpoint to Backbox



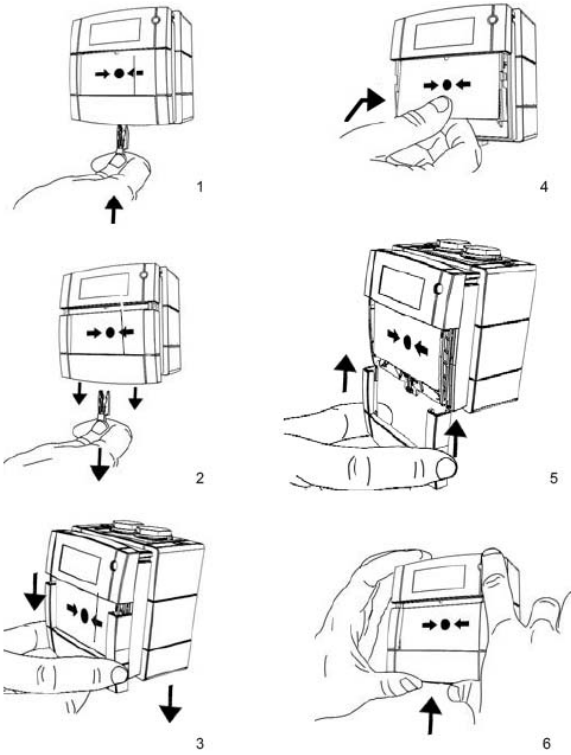
1. Ensure that the O-ring is correctly seated in the channel on the rear of the cover.
2. Place the cover squarely over the back box and carefully push the cover until the locating clips have engaged.
3. Do not use excessive force.
4. It is recommended that the 4 cover fixing screws are used to lock the cover into place.
5. The O-ring should be replaced when refitting or replacing the Waterproof Cover.

## Removing Callpoint from Backbox



1. To remove the cover, undo and remove the 4 Cover fixing screws.
2. Place the edge of a large flat bladed screwdriver into the slot between the Cover and back box as shown right and gently twist until the latches are disengaged.
3. Pull cover away from backbox.

## Replacing the Break Glass Element



*Tyco is a registered trademark of Tyco International Services GmbH and is used under license. Simplex, the Simplex logo, and IDNet are trademarks of Tyco International Ltd. and its affiliates and are used under license. NFPA 72 and National Fire Alarm Code are trademarks of the National Fire Protection Association (NFPA).*