

ULC Listed

Accessories
End-of-Line Devices
2098 Series

FEATURES :

- Attractive stainless steel plate
- Ease of mounting

DESCRIPTION :

The Simplex 2098-9733 End-of-Line relays monitor zone voltage and report a voltage loss by using a normally open relay contact to allow for external continuity supervision.

SPECIFICATIONS :

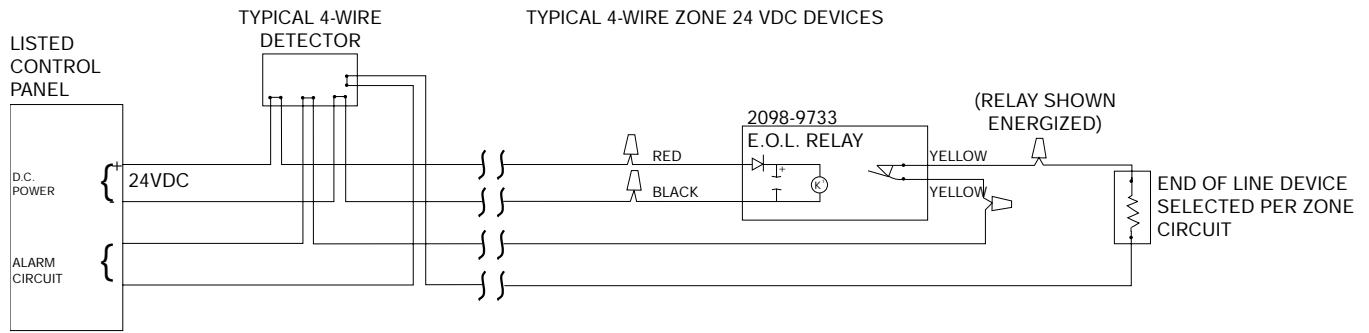
2098-9733

Input voltage 24 VDC (Nominal)
Maximum operating voltage. 31 VDC
Current consumption 22 mA max. @ 31 VDC
Contact rating 3 amps resistive
@ 24 VDC/120 VAC



2098-9733 (24 VDC)

TYPICAL WIRING DIAGRAMS :



MOUNTING :

Mounts to single gang electrical box. (Supplied by Others.)