



Features

Individually addressed and controlled multi-candela A/V (audible/visible) notification appliances provide:

- High intensity multi-candela xenon strobe with intensity *programmable from a Simplex® 4100U fire alarm control panel with TrueAlert Addressable Power Supply (TPS)* or jumper selected as 15, 30, 75, or 110 cd
- Synchronized 1 Hz strobe flash rate
- Wiring supervision to each appliance allowing “T-tapped” connections for Class B circuits to simplify wiring (Class A circuits require in/out wiring)
- Backwards compatibility with fixed candela TrueAlert addressable strobes on the same Signaling Line Circuit (SLC) allowing convenient expansion and replacement
- Compatibility with ADA requirements; (refer to important installation information on page 4)
- Strobe operation is UL listed to Standard 1971; Horn operation is UL listed to Standard 464

Compatible TrueAlert Addressable Host Controls:

- *4100U TrueAlert Addressable Power Supply (TPS)* mounted in the control panel or in a remote cabinet
- *TrueAlert Addressable Controller (4009T)* interface panel

With multi-candela appliances and 4100U fire alarm control panels with TPS, TrueNAC™ voltage drop diagnostics provide:

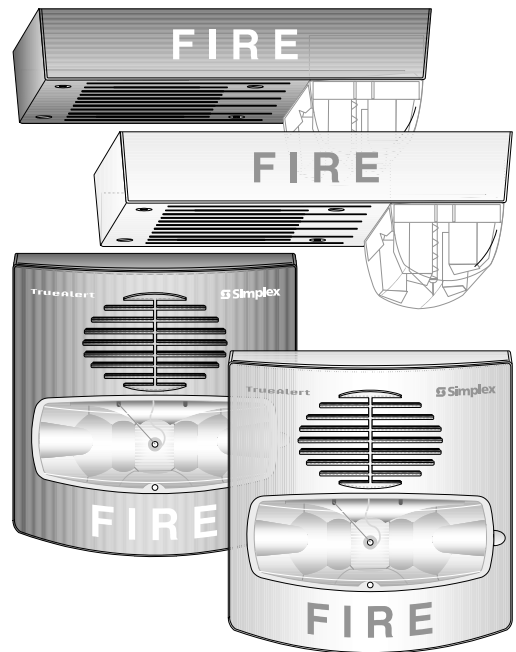
- *Individual appliance voltage drop analysis* using appliance intensity selection, measured appliance voltage, and SLC output voltage and current**
- *Device Reports* that detail type, candela rating, and location of addressable appliances on the SLC (*also available with TrueAlert Addressable Controller connected to 4100U using RUI communications*)
- *Status Reports* that list the diagnostic results per appliance on the SLC (see details on page 2)
- Requires 4100U Software Revision 12.04 or higher and compatible TPS version

LED indicator and magnet test feature:

- Appliance LED can be selected to display each polling cycle to indicate appliance supervision
- In diagnostic mode, the magnet test pulses the LED to indicate appliance address *AND pulses to indicate the intensity selection*; a brief output of the strobe and the horn is also selectable to confirm operation

Mechanical design features:

- Rugged, high impact, flame retardant thermoplastic housings are available in red or white for flush or surface, wall or ceiling mount
- Rear of housing does not extend into box and easily mounts to standard electrical boxes
- Access to wall mount in/out wiring terminals (18 AWG to 12 AWG) from front of housing assists installation, inspection, and testing
- Mounting options include electrical box adapters, separate covers to convert color, and red wire guards



Wall and Ceiling Mount Addressable A/Vs

Features (Continued)

Audible notification appliance (horn):

- Low current electronic horn with harmonically rich output sound for either coded or steady operation
- Horns sound as Temporal or March Time pattern (60 or 120 BPM), or on continuously, controlled separately from visible appliances on the same two-wire circuit
- Output is “high” or “low” (~5 dBA difference); 4100U TrueAlert Addressable Power Supply selects per device, TrueAlert Addressable Controller selects per SLC

Description

TrueAlert Addressable Multi-Candela A/Vs are individually addressed and individually controlled with power, supervision, and control supplied from a TrueAlert Addressable SLC.

4100U Additional Features. When controlled from a Simplex 4100U control panel with TPS, additional features are available such as software selection of strobe intensity, detailed reports of actual appliance intensity selection (see sample reports on page 2), TrueNAC voltage drop diagnostics, and additional setup and test diagnostics (further detailed on page 2).

* See page 3 for wire guard listings. This product has been approved by the California State Fire Marshal (CSFM) pursuant to Section 13144.1 of the California Health and Safety Code. See CSFM Listing 7125-0026:239 for allowable values and/or conditions concerning material presented in this document. It is subject to re-examination, revision, and possible cancellation. Accepted for use – City of New York Department of Buildings – MEA35-93E. Additional listings may be applicable; contact your local Simplex product supplier for the latest status. Listings and approvals under Simplex Time Recorder Co. are the property of Tyco Safety Products Westminster.

** TrueAlert addressable notification is protected under U.S. Patent Nos. 6,313,744; 6,426,697; 6,693,532; 7,006,003; and 7,091,847. TrueNAC diagnostics are protected under U.S. patent No. 7,333,010.

Strobe Intensity Selection

Selectable at Appliance or Remotely Selected. During installation, a plug at the back of the housing (visible after installation) is inserted to select strobe output as 15, 30, 75, or 110 cd; **or FACP.** *Selecting FACP allows a 4100U control panel with TPS to program the output intensity.*

FACP Selection Advantages. When intensity is selected in software from a 4100U fire alarm panel, it can be easily changed if renovations or other usage conditions are revised and intensity selection errors at installation are effectively eliminated.

Strobe Application Reference

Proper selection of visible notification is dependent on occupancy, location, local codes, and proper applications of: the *National Fire Alarm Code*[®] (NFPA 72[®]), ANSI A117.1; the appropriate model building code: BOCA, ICBO, or SBCCI; and the application guidelines of the Americans with Disabilities Act (ADA).

TrueAlert Addressable Advantage

TrueAlert Addressable Operation provides separate audible and visible appliance control functions using a single two-wire circuit that also *confirms connection to the individual notification appliance's electronic circuit.* This operation increases circuit supervision integrity by providing supervision beyond the appliance wiring connections.

Opportunities for Reducing Installation and Testing Time. Separate controls carried on the same two-wire SLC can significantly reduce installation time and expense for both retrofit and new construction. When Class B (Style 4) wiring is used, *wiring can be T-tapped*, allowing even more savings in distance, wire, junction boxes, and overall installation efficiency. The extensive diagnostics features available provide improved installation efficiency.

TrueAlert Device and Device Status Reports

Service Port		Page 1	
REPORT 5 : TrueAlert Device Report		12:34:56am	WED 2-Jan-08
POINT ID	CUSTOM LABEL	DEVICE TYPE	CANDELA
T14-1-1	Location Label . . . up to 40 characters	V/O	15
T14-1-2	Break Room 5	A/V	110
T14-1-3	Boiler Room	A/V	75
T14-1-4	Elec. Room 7	A/V	30

Service Port		Page 1	
REPORT 6 : TrueNAC Status Report		12:34:56am	WED 2-Jan-08
TPS AT ADDRESS 3			
SLC 1			
POINT ID	CUSTOM LABEL	TEST RESULT	
T14-1-1	Location Label . . . up to 40 characters	PASSED	
T14-1-3	West Hall South End	PASSED	
T14-1-5	Classroom 2	PASSED	
T14-1-6	Classroom 3	FAILED -0.6	
NOMINAL CURRENT (A) :		1.34	
WORST CASE CURRENT (A) :		1.97	
WORST CASE VOLTAGE ABOVE/BELOW THRESHOLD (V) :		-0.6	
SLC HAS NOT PASSED UNLESS ALL DEVICES ARE MARKED AS PASSED			

Addressable Product Reference

Product	Data Sheet	Product	Data Sheet	Product	Data Sheet
V/O (strobe)	S4906-0004	TrueAlert Addressable Horn	S4901-0012	4100U Fire Alarm Panels	S4100-0031
S/V (speaker/strobe)	S4906-0006	Amber Lens Strobes (Mass Notification)	S4906-0007		
TrueAlert Isolator	S4905-0001	TrueAlert Addressable Controller (4009T)	S4009-0003		

TrueAlert Addressable Diagnostics

Appliance Type and Intensity Check. The TrueAlert Addressable Host Control is programmed with address, location, device type, and intensity selection. An incorrect appliance replacement or substitution will produce a location specific trouble allowing easy correction.

LED Communications Indicator. The host control can be selected to pulse each appliance's LED when it receives a supervision poll. This feature can be left on continuously, or activated for system testing.

Silent Mode Appliance Magnet Testing. In this test mode, the local magnet test activates the appliance LED to pulse sequentially to indicate the appliance's address *and* to indicate the appliance's strobe intensity selection.

Operational (non-silent mode) Appliance Magnet Test. When this test mode is selected at the host control, after the address and intensity selection is indicated, the strobe will flash once and the horn will briefly sound.

4100U TrueNAC Diagnostic Operation

Individual Appliance Performance Analysis. With appliances on the SLC activated, each measures its terminal voltage and reports it to the 4100U TPS where the address and appliance type is stored in memory. The 4100U TPS measures its output voltage and current and then iteratively analyzes all of this information against known appliance power requirements to determine equivalent impedance to each appliance. TrueNAC diagnostics then analyze each appliance's wiring connection for performance under worst case conditions and identifies problems by appliance address. **TrueAlert Device Reports** detail type, candela rating, and location per appliance (first sample below). Fixed candela appliances will also report, but are not compatible with TrueNAC voltage drop diagnostics. **TrueNAC Status Reports** detail the diagnostic results as shown in the second report example below.

Product Selection

Multi-Candela Addressable A/Vs

Model	Mounting	Housing Color	"FIRE" Lettering	Dimensions	Description
4906-9227	Wall	Red	White	5-1/8" H x 5" W x 2-3/4" D (130 mm x 127 mm x 70 mm)	Addressable Horn with Multi-Candela Strobe; intensity selectable as: 15, 30, 75, or 110 candela
4906-9229		White	Red		
4906-9228	Ceiling	Red	White	4-3/4 L" x 6-7/8" W x 2-5/8" D (121 mm x 175 mm x 67 mm)	
4906-9230		White	Red		

Wall Mount A/V Adapters

Model	Description	Dimensions
4905-9937	Red Surface Mount Adapter Skirt; use to cover 1-1/2" (38 mm) deep surface mounted boxes; depth with A/V = 4-3/8" (111 mm)	5-3/8" H x 5-1/4" W x 1-5/8" D (136 mm x 133 mm x 41 mm)
4905-9940	White Surface Mount Adapter Skirt; use to cover 1-1/2" (38 mm) deep surface mounted boxes; depth with A/V = 4-3/8" (111 mm)	5-3/8" H x 5-1/4" W x 1-5/8" D (136 mm x 133 mm x 41 mm)
4905-9931	Red Adapter Plate for mounting to Simplex 2975-9145 box (typically for retrofit, may be mounted vertical or horizontal)	8-5/16" x 5-3/4" x 0.060" Thick (211 mm x 146 mm x 1.5 mm)
2975-9145	Red Mounting Box, requires Adapter Plate 4905-9931	7-7/8" x 5-1/8" x 2-3/4" D (200 mm x 130 mm x 70 mm)

Replacement Covers for Wall Mount A/Vs

Model	Housing	"FIRE"	Model	Housing	"FIRE"	Dimensions
4905-9994	Red	White	4905-9995	White	Red	5-1/8" H x 5" W x 1-1/2" D (130 mm x 127 mm x 38 mm)

Wire Guards and Ceiling Mount A/V Adapter

Model	Description	Dimensions
4905-9961*	Wall Mount Red wire guard with mounting plate, compatible with semi-flush or surface mounted boxes	6-1/16" H x 6-1/16" W x 3-1/8" D (154 mm x 154 mm x 79 mm)
4905-9927*	Ceiling Mount Red Wire Guard for mounting to flush mounted electrical box	8-1/2" x 6-1/8" x 3" (216 mm x 156 mm x 76 mm)
4905-9928*	Ceiling Mount Red Adapter Plate, required for surface mount guard	9" x 7" (229 mm x 178 mm)
4905-9915	White Surface Mount Adapter Box Extension, use to cover 1-1/2" deep surface mounted boxes	4-3/4" x 6-7/8" x 1-1/2" deep, (121 mm x 175 mm x 38 mm)
4905-9916	Red Surface Mount Adapter Box Extension, use to cover 1-1/2" deep surface mounted boxes	

* UL listed by Space Age Electronics Inc.

Addressable A/V Specifications

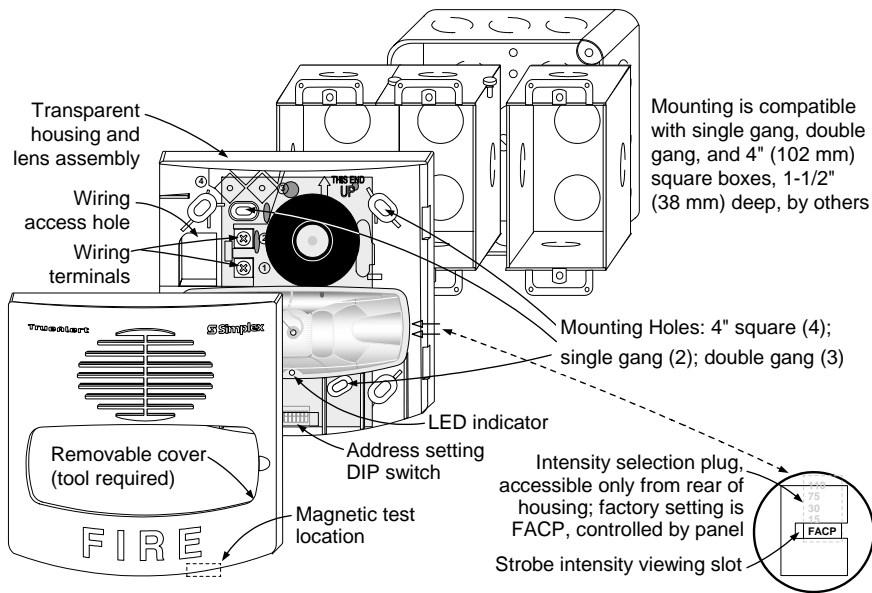
Wall Mount or Ceiling Mount, Common Specifications

Rated Voltage Range	UL Listed Rating	Special Application, 17 to 31 VRMS, see Note 1 below																
	ULC Listed Rating	21.25 to 28.2 VRMS																
Supervisory Requirements	1 unit load																	
Strobe Flash Rate and Synchronized SLC Loading	1 Hz; with up to 46 synchronized addressable strobes maximum per SLC																	
Environmental; Temperature and Humidity	32° to 122° F (0° to 50° C); 10% to 93%, non-condensing at 100° F (38° C)																	
Terminal Block Connections	18 AWG to 12 AWG (0.82 mm ² to 3.31 mm ²); 2 wires per terminal for in/out wiring																	
Horn Output Characteristics	2400 to 3700 Hz sweep, modulated at 120 Hz rate																	
Horn Output Ratings; dBA @ 10 ft (3 m)	Voltage	Sound Type (see Note 2)	17 VRMS				24 VRMS				31 VRMS							
			Steady		Coded		Steady		Coded		Steady		Coded					
	Setting		High	Low	High	Low	High	Low	High	Low	High	Low	High	Low				
	Reverberant Chamber, UL 464 Test		84.6	79.1	80.6	75.5	86.3	81.5	82.4	77.2	88.4	84.3	84.5	79.2				
Anechoic Chamber		90	84	86	80	93	87	90	83	94	90	90	86					
Wall Mount Current	Maximum RMS Current Rating per Strobe Setting (see Note 2 below)	15 cd				30 cd				75 cd				110 cd				
		73 mA				108 mA				195 mA				259 mA				
	Reference RMS Currents at other voltages	18 VRMS	69 mA				102 mA				184 mA				245 mA			
		24 VRMS	52 mA				77 mA				138 mA				183 mA			
Ceiling Mount Current	Maximum RMS Current Rating per Strobe Setting (see Note 2 below)	15 cd				30 cd				75 cd				110 cd				
		82 mA				135 mA				249 mA				335 mA				
	Reference RMS Currents at other voltages	18 VRMS	77 mA				128 mA				235 mA				316 mA			
		24 VRMS	58 mA				96 mA				176 mA				237 mA			

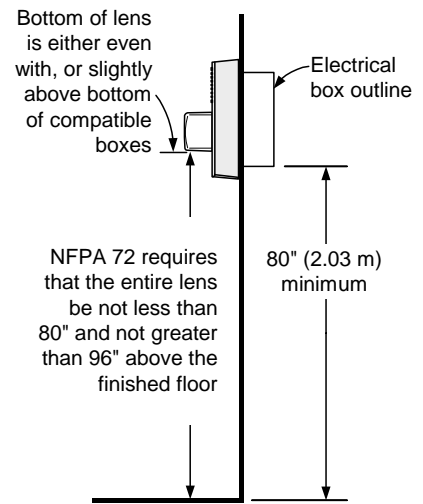
NOTES:

- "Special Application" refers to the operating category under UL Standard 1971, *Signaling Devices for the Hearing Impaired*. The rated voltage range listed is the absolute operating range. Operation outside of this range may cause permanent damage to the appliance. Please note that 17 VRMS is the lowest operating voltage that is allowed at the last appliance on the TrueAlert signaling line circuit under worst case conditions. "Low" horn setting draws approximately 5 mA less current at each voltage listed.
- Currents are with horn on steady. The maximum RMS current listed is the device nameplate rating. Strobe designs are constant wattage and the maximum RMS current rating occurs at the lowest allowable operating voltage. Coded horn values are typical of the output measured with a Temporal or March Time pattern and with a sound level meter reading on a "fast" setting. Under the same test conditions, coded horn output "peak" sound level readings are typically 4 dBA higher.

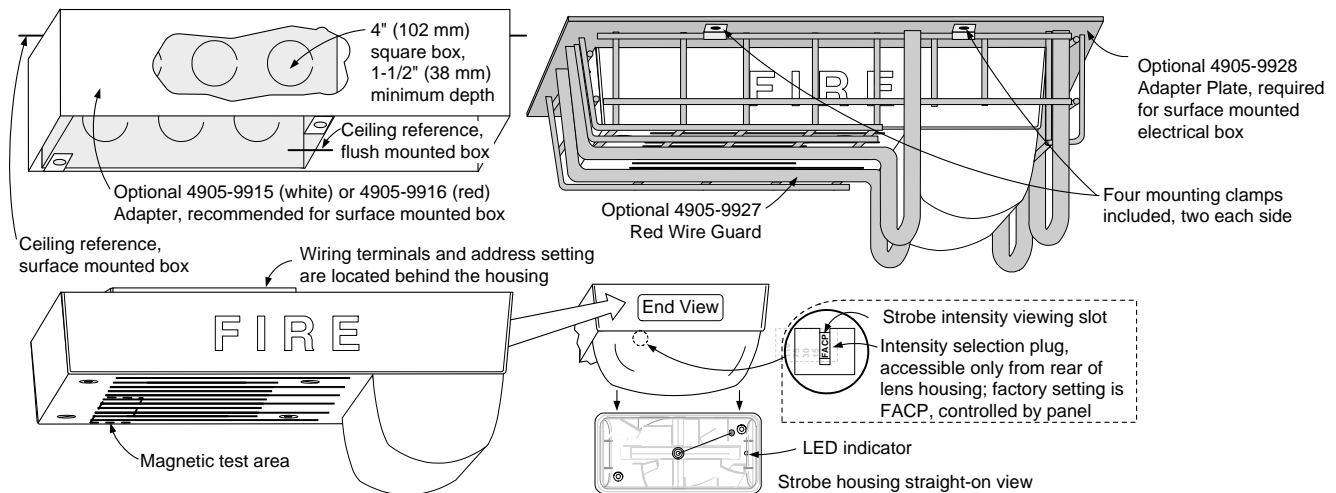
Wall Mount Installation Reference, Surface or Semi-Flush Mounting



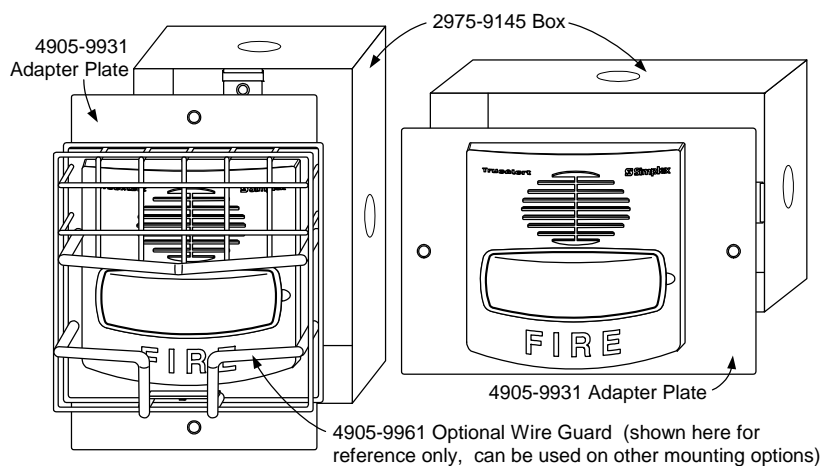
IMPORTANT! WALL MOUNT INSTALLATION HEIGHT REFERENCE



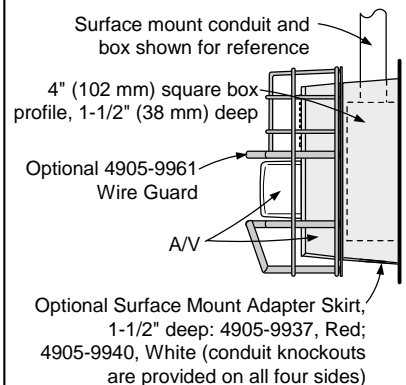
Ceiling Mount AV and Guard Installation Reference



Wall Mount Installation Reference; Adapter Plate, Guard, and Adapter Skirt



Surface Mounting Reference with Optional Adapter Skirt and Optional Wire Guard



Tyco is a registered trademark of Tyco International Services GMBH and is used under license. TrueAlert, TrueNAC, Simplex, and the Simplex logo are trademarks of Tyco International Ltd. and its affiliates and are used under license. NFPA 72 and National Fire Alarm Code are trademarks of the National Fire Protection Association (NFPA).