

### Features

**Remote LCD annunciator for use with Simplex® model:**

- 4100U, 4100, 4120, and 4020 fire alarm control panels
- 4100/4120 Universal Transponders

**Information display features:**

- Wide viewing angle, super-twist LCD technology with green LED backlighting
- Two lines of 40 characters each
- LED status indicators
- During battery backup, backlighting is disabled until there is switch activity

**Controls include:**

- Switches for system acknowledge, alarm silence, and system reset
- Four programmable control switches
- Lamp/LCD test

**Wiring information:**

- RUI (Remote Unit Interface) communications require a single twisted, shielded wire pair
- Separate wiring is required for 24 VDC control panel power

**Flush mount on standard electrical boxes**

**Options**

- 2975-9206, Surface mount box
- 4603-9111, Brushed stainless steel trim

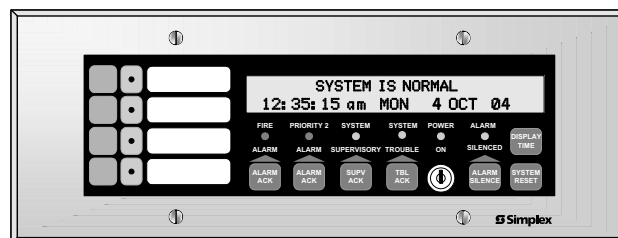
**UL Listed to Standard 864**

### Description

**Remote Control and Annunciation** is provided using an 80 character, back-lit, alphanumeric display. Information is presented in clear, descriptive English language and includes: **Point Status** (alarm, trouble, etc.); **Alarm Type** (smoke detector, manual station, etc.); **Number of System Alarms, Supervisory Conditions, and Trouble Conditions**; and a **Custom Location Label**.

**Wiring.** A single twisted, shielded wire pair provides serial RUI communications that also supports other Simplex serial annunciators on the same wire pair.

**Multiple Indications.** Alarm, Supervisory, and Trouble conditions are also indicated by dedicated LEDs and a tone-alert audible sounder. Each condition has a dedicated acknowledge push-button switch that silences the tone-alert but leaves the LED on until all conditions in that category are restored to normal. Switch operation is either globally or individually acknowledgeable, determined by the control panel operation.



4603-9101 LCD Annunciator

### Description (Continued)

Repeated operation of the appropriate acknowledge switch will scroll the LCD display showing activity in the sequence of occurrence. The tone-alert also pulses to indicate the operation of any of the push-button switches.

Consult local code requirements for guidance in determining applications and location of the 4603-9101 LCD annunciator.

### Operation

**System Controls.** Notification appliances can be deactivated by pressing the "ALARM SILENCE" switch. (Exact operation is determined by the host control panel such as visible appliances remaining on until system is reset.) Pressing the "SYSTEM RESET" switch restores the system to normal operation. When system activity is normal, the LCD displays the time, date, and "SYSTEM IS NORMAL."

**Control Switches.** Four programmable "CONTROL" switches and associated LEDs are included. Typical applications include manual evacuation, door holder release bypass, and elevator capture bypass.

**Keyswitch Enable.** All switches on the annunciator are controlled by the "ENABLE" keyswitch with a key that is removable only in the disabled position. A brief lamp/LCD test is performed whenever the keyswitch is changed from enabled to disabled.

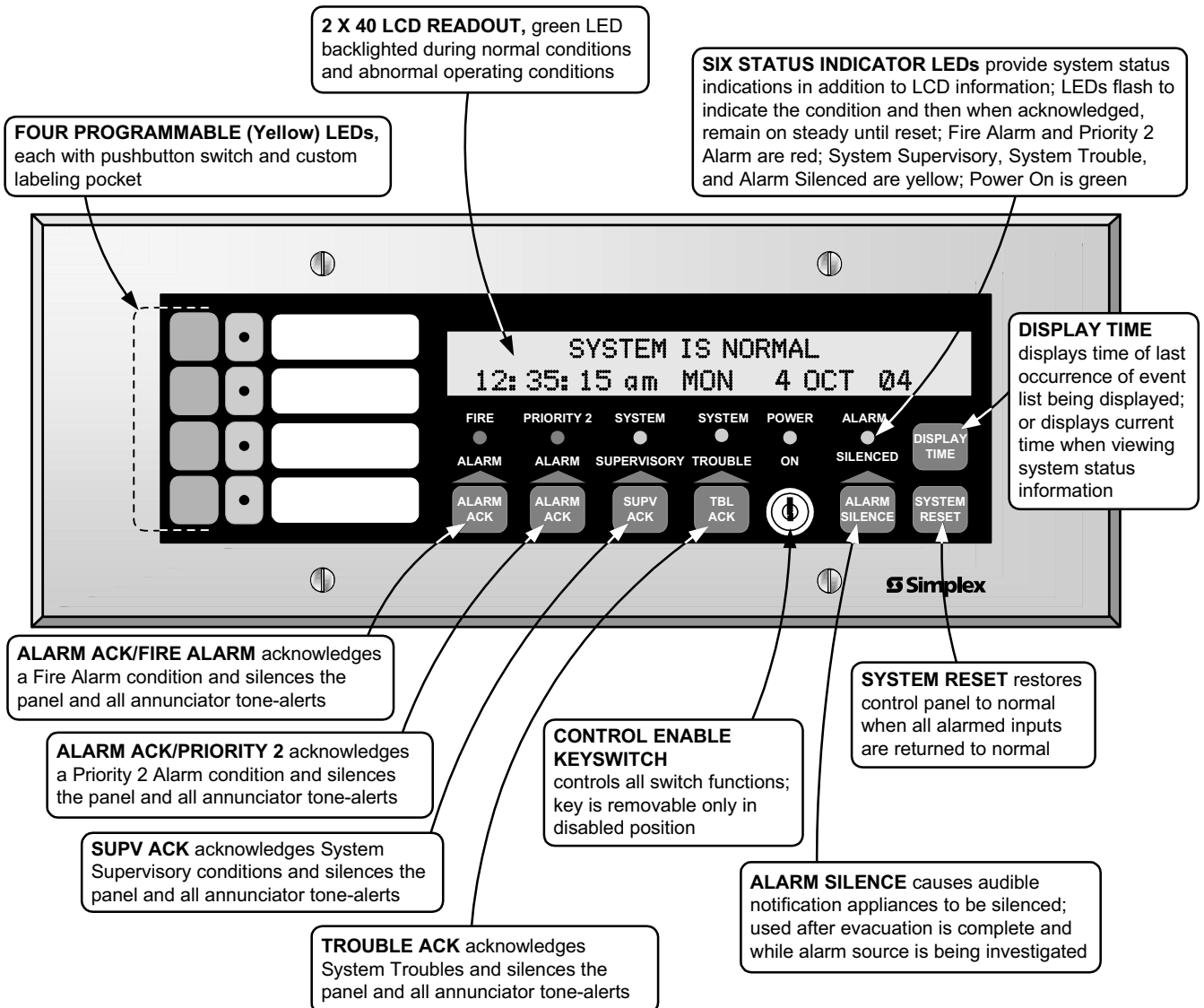
**Battery Backup Operation.** During battery backup, the LED backlighting is disabled to conserve battery power. When an annunciator switch is activated, the backlighting is automatically enabled. After approximately 30 seconds of inactivity, the backlighting will again be disabled.

\* This product has been approved by the California State Fire Marshal (CSFM) pursuant to Section 13144.1 of the California Health and Safety Code. See CSFM Listing 7120-0026:179 for allowable values and/or conditions concerning material presented in this document. It is subject to re-examination, revision, and possible cancellation. Accepted for use – City of New York Department of Buildings – MEA35-93E. Additional listings may be applicable; contact your local Simplex product supplier for the latest status. Listings and approvals under Simplex Time Recorder Co. are the property of Tyco Safety Products Westminster.

## Product Selection

Model	Description	
4603-9101	Remote LCD Annunciator with beige trim	Refer to specifications on page 3 for additional details
4603-9101C	Remote LCD Annunciator with beige trim, for Canada	
4603-9111	Brushed stainless steel trim option	
2975-9206	Matching surface mount box; ivory finish	
2081-9044	Overvoltage protector; required where annunciator communications and power wiring exits and enters a building; refer to data sheet S2081-0016 for details	

## 4603-9101 Operator Information



## 4603-9101 LCD Annunciator Specifications

### General Operating Specifications

Voltage	20.4 to 32 VDC, system supplied
Normal Operating Current	170 mA, backlighting enabled
Battery Standby Current	Supervisory: 30 mA, backlighting disabled Alarm: 170 mA, backlighting enabled
Operating Temperature Range	32° to 120° F (0° to 49° C)
Operating Humidity Range	10% to 90% from 32° F to 104° F (0° C to 40° C)

### Communications

4100U Capacity, Per RUI Output	Type	RUI (Remote Unit Interface) external annunciator communications line SLC (signaling line circuit)
	Capacity	Up to 31 remote annunciators/MINIPLEX® transponders per channel including the 4603-9101 LCD Annunciator, the 4602-9101 Status Command Unit (SCU), and 4602-9102 Remote Command Unit (RCU); refer to data sheet S4100-0031 for additional 4100U information
Wiring Requirements	Data	Single twisted, shielded pair, 18 AWG (0.82 mm <sup>2</sup> )
	Power	18 to 12 AWG (0.82 mm <sup>2</sup> to 3.31 mm <sup>2</sup> ) wires for 24 VDC system power
	Earth	A dedicated earth ground connection to the electrical box is required for proper ESD and EMI protection; wire in accordance with NFPA 70 ( <i>National Electrical Code</i> ®) Article 250

### Mounting Information

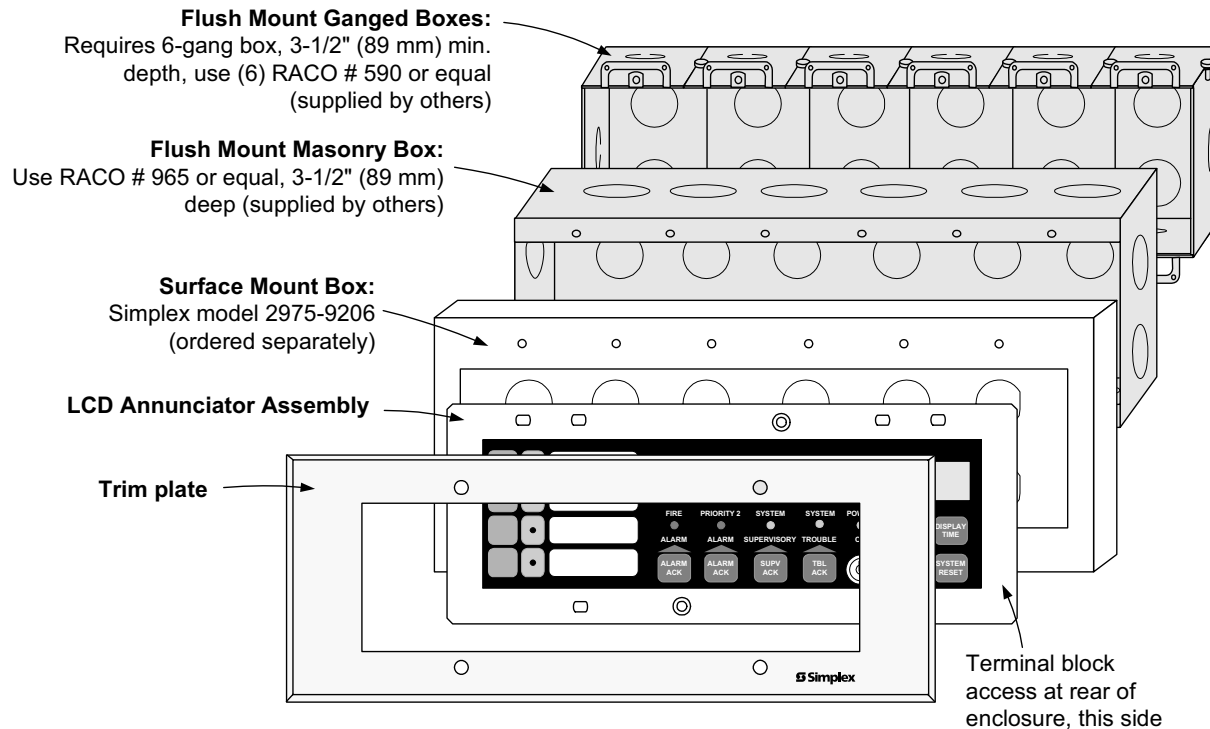
<b>NOTE:</b> General Conduit Entrance Requirement	Conduit entrance must be located a minimum of 2-3/4" (70 mm) from the front of the box to clear assembly
Trim Dimensions	4-1/2" H x 11-13/16" W (114 mm x 300 mm)
Standard Trim Finish	Steel, painted beige
4603-9111, Optional Trim	Brushed stainless steel (ordered separately)
Trim Hardware	Supplied with both slotted and tamper resistant screws
Boxes for Flush Mounting (supplied by others)	6-Gang, 3-1/2" (89 mm) deep: RACO 965, 6-gang masonry box; RACO 590, gangable switch box, 6 required; or equal

### 2975-9206, Surface Mount Box Option (ordered separately)

Dimensions	11-31/32" W x 4-5/8" H x 2-3/4" D (304 mm x 117 mm x 70 mm)
Finish	Painted steel, ivory finish

## Mounting Information

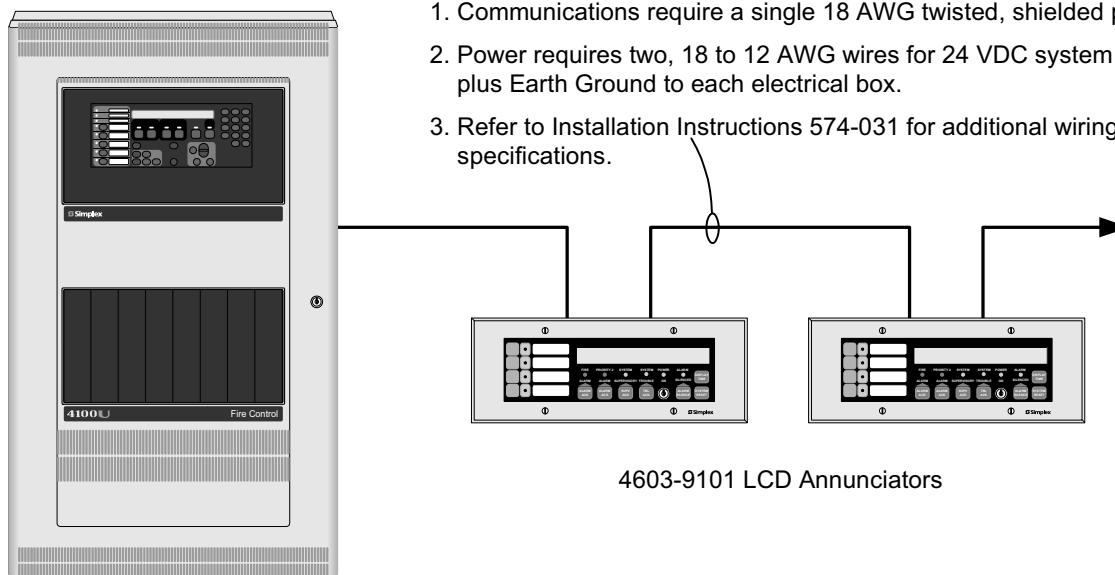
**NOTE:** Conduit entrance must be located a minimum of 2-3/4" (70 mm) from the front of the box to clear assembly. Review box choice with assembly layout before selecting conduit entrance location.



## Wiring Reference

### Wiring Notes:

1. Communications require a single 18 AWG twisted, shielded pair.
2. Power requires two, 18 to 12 AWG wires for 24 VDC system power, plus Earth Ground to each electrical box.
3. Refer to Installation Instructions 574-031 for additional wiring specifications.



4100U Fire Alarm Control Panel

4603-9101 LCD Annunciators

Tyco, Simplex, the Simplex logo, and MINIPLEX are trademarks of Tyco International Services AG or its affiliates in the U.S. and/or other countries. National Electrical Code and NFPA are registered trademarks of the National Fire Protection Association (NFPA).



Tyco Safety Products Westminister • Westminister, MA • 01441-0001 • USA

S4603-0001-10 10/2004

www.tycosafetyproducts-usa-wm.com

© 2004 Tyco Safety Products Westminister. All rights reserved. All specifications and other information shown were current as of document revision date and are subject to change without notice.